

JIANGSU WUJIN KAILI ELECTRONIC FACTORY

SPECIFICATION SHEET

ELECTRONIC SPECIFICATION:

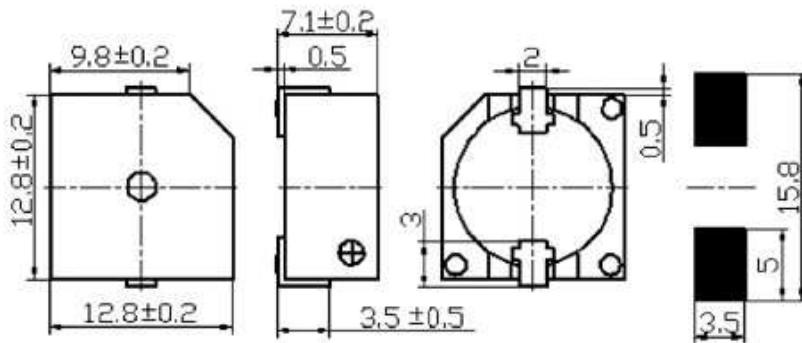


HCT14UX SERIES:

Type	HCT1401UX	HCT1405UX	HCT1412UX
Rated Voltage (V)	1.5	5	12
Operating Voltage (V)	1.2~3	3~7	8~15
Rated Current (MA)	< 30	< 30	< 30
Sound Output at 10cm (dB)	> 80	> 85	> 85
Resonant Frequency (Hz)	2400 ± 400	2300 ±300	2300 ±300
Response Time (ms)	< 50	< 50	< 50
Operating Temperature (C)	-10~+50	-25~+70	-25~+70
Storage Temperature (C)	-15~+60	-30~+80	-30~+80
Weight (g)	2	2	2

Value applying rated voltage (DC)

Value applying(Min. operational DC voltage)



JIANGSU WUJIN KAILI ELECTRONIC FACTORY

Miaoqiao Town, Changzhou city, Jiangsu, China 213167

TEL:0086-519-6462433; 6712320

FAX:0086-519-6471336; 6712320

E-mail: kailiec@jmail.com.cn

<http://www.kaili-buzzer.com/>