

JIANGSU WUJIN KAILI ELECTRONIC FACTORY

SPECIFICATION SHEET

ELECTRONIC SPECIFICATION:

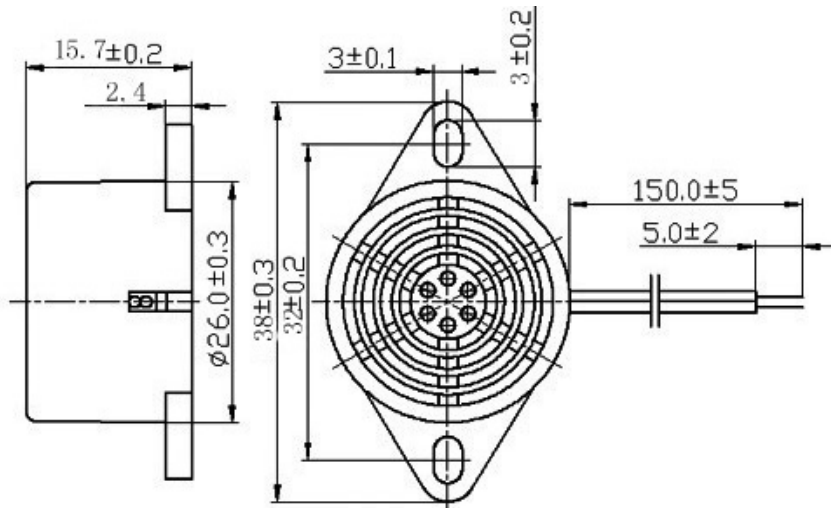


KL1048 SERIES:

Type	KL1048-6	KL1048-12	KL1048-24
Rated Voltage (V)	6	12	24
Operating Voltage (V)	4.5~7.5	9~15	20~28
Rated Current (MA)	< 30		
Sound Output at 10cm (dB)	> 85	> 85	> 85
Resonant Frequency (Hz)	400 ±100		
Tone Nature	Continuous		
Operating Temperature (C)	25~+70		
Storage Temperature (C)	-30~+80		
Weight (g)	8.5		

Value applying rated voltage (DC)

Value applying(Min. operational DC voltage)



JIANGSU WUJIN KAILI ELECTRONIC FACTORY

Miaoqiao Town, Changzhou city, Jiangsu, China 213167

TEL:0086-519-6462433; 6712320

FAX:0086-519-6471336; 6712320

E-mail: kailiec@jmail.com.cn

<http://www.kaili-buzzer.com/>